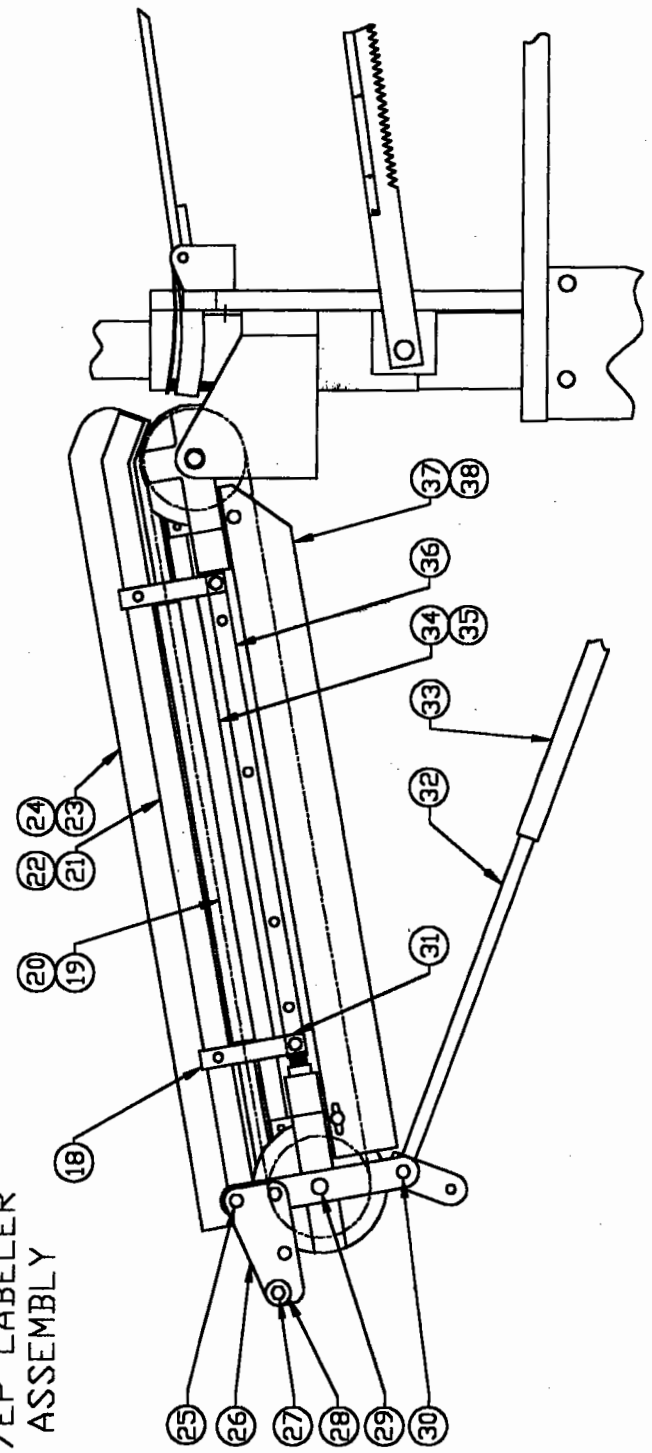


DWG. NO. NLE-BOOST30
 ODEL A5/A7/AP--E5/E7/EP LABELER
 30' BOOSTER INFEED ASSEMBLY



MODEL E & A LABELER 30' BOOSTER INFEED ASSEMBLY
 DWG. NO. NLE-BOOST30

ITEM NO.	PART NO.	DESCRIPTION
1	NLEB-160	FLIGHT BAR COLLAR (GAL. PAINT CANS ONLY)
2	NLEB-32F	FLIGHT BAR 8-25/32"
	NLEB-32G	FLIGHT BAR 11-9/32"
	NLEB-32H	FLIGHT BAR 13-25/32"
	NLEB-32J	FLIGHT BAR 16-9/32"
3	NLEB-24L	SUPPORT BRACKET - L.H.
4	NLEB-28	BRONZE BUSHING.
5	NLEB-20	SPROCKET - DISC. END
6	NLE-3144	BRONZE BUSHING
7	NLEB-A1200DA	SPROCKET MTG. BRACKET ASY.-D.E. (INCLUDES ITEM #4-#6)
8	NAL-2975	BOOSTER DRIVE SHAFT - "A" LABELER
	NLEB-29F	BOOSTER DRIVE SHAFT 22-1/2"
	NLEB-29G	BOOSTER DRIVE SHAFT 24-1/2"
	NLEB-29H	BOOSTER DRIVE SHAFT 27"
	NLEB-29J	BOOSTER DRIVE SHAFT 29-1/2"
9	NLEB-1200F	SPROCKET MTG. BRACKET - F.E.
10	NLEB-20A	SPROCKET - FEED END
11	NLEB-15H	GUIDE RAIL GUIDE
12	NLEB-13S	CAN TRACK (GAL. PAINT CANS/SMALL DIA.)
13	NLEB-9SH	CAN TRACK PLATE - 12" WIDE
	NLEB-9SJ	CAN TRACK PLATE - 14" WIDE
14	NLEB-23F	FRAME TIE BAR 8-3/8"
	NLEB-23G	FRAME TIE BAR 10-7/8"
	NLEB-23H	FRAME TIE BAR 13-3/8"
	NLEB-23J	FRAME TIE BAR 15-7/8"
15	NLEB-11H	CONNECTING PLATE 11-7/8" (GAL. PAINT CANS/LARGE DIA.)
	NLEB-11J	CONNECTING PLATE 14-3/8" (GAL. PAINT CANS/LARGE DIA.)
	NLEB-11A/H	CONNECTING PLATE 11-7/8" (SMALL DIA.)
	NLEB-11A/J	CONNECTING PLATE 14-3/8" (SMALL DIA.)
16	NLEB-11/1	FILLER TRACK (GAL. PAINT CANS ONLY)
17	NLEB-24R	SUPPORT BRACKET - R.H.
18	NLEB-17	GUIDE RAIL POST
19	NLEB-31S	BOOSTER FLIGHT CHAIN ASSY.(INCLUDES ITEM #20)
20	F-#40-D1-C/L	EXTENDED PIN CONNECTING LINK
21	NLEB-A14SL	L.H. GUIDE RAIL ASSY. (INCLUDES ITEM #11-#23)
22	NLEB-A14SR	R.H. GUIDE RAIL ASSY. (INCLUDES ITEM #11-#24)
23	NLEB-14A/SL	L.H. AUXILIARY GUIDE RAIL
24	NLEB-14A/SR	R.H. AUXILIARY GUIDE RAIL
25	NLEB-36	FEED CHUTE HINGE PIN
26	NLEB-7	FEED CHUTE HINGE
27	NLEB-6F	FEED CHUTE SUPPORT BAR 12-3/4"
	NLEB-6G	FEED CHUTE SUPPORT BAR 15-1/4"
	NLEB-6H	FEED CHUTE SUPPORT BAR 17-3/4"
	NLEB-6J	FEED CHUTE SUPPORT BAR 20-1/4"
28	FP-SC08	1/2" SET COLLAR

WHEN ORDERING REPAIR PARTS, GIVE MODEL NO., MACHINE NO. & SERIAL NO.
 AS WELL AS PART NUMBER AND NAME.

NEW WAY PACKAGING MACHINERY, INC.
 P.O. BOX 467 210 BLETNER AVENUE
 HANOVER, PA. 17331
 TEL. (717) 637-2133 OR 637-8998
 FAX. (717) 637-2966 WEB SITE: www.labeler.com

MODEL E & A LABELER 30" BOOSTER INFEED ASSEMBLY
 DWG. NO. NLE-BOOST30

ITEM NO.	PART NO.	DESCRIPTION
29	NLEB-33	SPROCKET SHAFT
30	NLEB-27F	TIE SHAFT 11-5/16"
	NLEB-27G	TIE SHAFT 13-13/16"
	NLEB-27H	TIE SHAFT 16-5/16"
	NLEB-27J	TIE SHAFT 18-13/16"
31	NLEB-43	FILLER
32	NLEB-W50F	ELEVATOR SUPPORT 10-1/8"
	NLEB-W50G	ELEVATOR SUPPORT 12-5/8"
	NLEB-W50H	ELEVATOR SUPPORT 15-1/8"
	NLEB-W50J	ELEVATOR SUPPORT 17-5/8"
33	NLEB-8S	ELEVATOR SUPPORT TUBE
34	NLEB-10SL	CHAIN CARRIER & GUIDE L.H.
35	NLEB-10SR	CHAIN CARRIER & GUIDE R.H.
36	NLEB-16S	TAKE UP ROD
37	NLEB-18SL	CHAIN GUARD L.H.
38	NLEB-18SR	CHAIN GUARD R.H.

WHEN ORDERING REPAIR PARTS, GIVE MODEL NO., MACHINE NO. & SERIAL NO.
 AS WELL AS PART NUMBER AND NAME.

NEW WAY PACKAGING MACHINERY, INC.
 P.O. BOX 467 210 BLETTNER AVENUE
 HANOVER, PA. 17331
 TEL. (717) 637-2133 OR 637-8998
 FAX. (717) 637-2966 WEB SITE: www.labeler.com