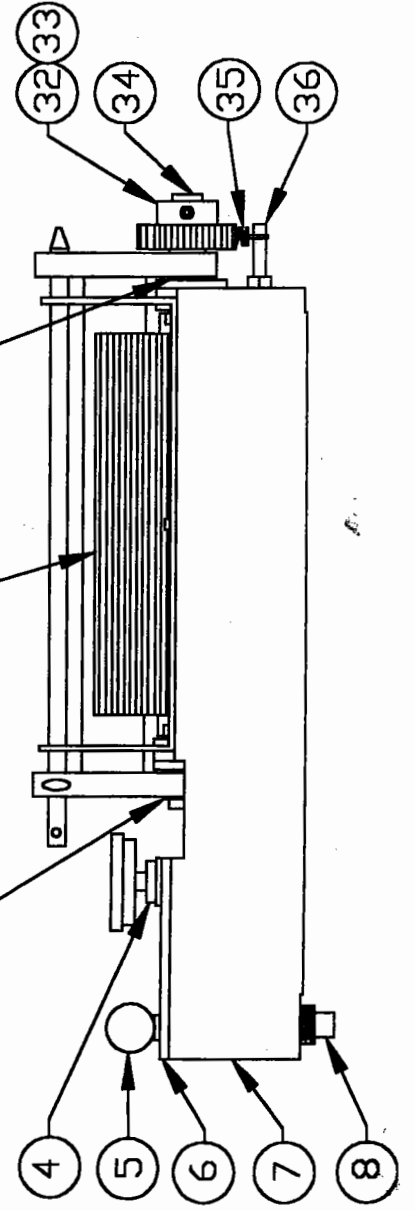


DWG. NO. NLE-A31SP
 MODEL A5/A7/AP - E5/E7/EP
 LABELER GUM POT ASSEMBLY
 FOR SPECIAL 2-SPOT APPLICATIONS



MODEL A5/A7/AP - E5/E7/EP LABELER GUM POT ASSEMBLY
FOR SPECIAL 2-SPOT APPLICATIONS

DWG. NO. NLE-A31SP

ITEM NO.	PART NO.	DESCRIPTION
1	NLE-A326/SP	ROCKER ARM BRACKET ASSEMBLY (INCLUDES ITEM #18)
2	NL-A334	TOP GUM ROLL SHAFT ASSEMBLY (INCLUDES ITEM #3)
3	F-SP5/32-24	SPRING PIN
4	NLE-3181	GUM POT LID STUD
5	NLE-321	GUM POT LID HANDLE
6	NLE-319A	GUM POT LID
7	NLE-A31/P	GUM POT BASE (INCLUDES ITEM #18)
8	NA-PF14	1/2" NPT BRASS PIPE PLUG
9	NLE-320	GUM POT THERMOMETER
10	NLE-3456	STUD STOP PLATE
11	FP-SQ06C28	SQUARE HEAD SET SCREW
12	NLE-3455	STUD MOUNTING PLATE
13	NLE-W3457	GUM ROLL SHAFT SUPPORT
14	NLE-3453	BACK GUM ROLL GUIDE
15	NL5-390	BACK GUM ROLL SCRAPER FILLER
16	NL5-383A	BACK GUM ROLL SCRAPER
17	NL5-382A	BACK GUM ROLL SCRAPER SUPPORT
18	NLE-340	BRONZE BUSHING
19	FP-TS04C12	THUMB SCREW
20	NLE-A338	FEED ROLL ASSEMBLY (INCLUDES ITEMS #18 & #34)
21	NLE-336B	BOTTOM GUM ROLL SCRAPER
22	NLE-3207B	RUBBER GUM ROLL DISC - FORM D
23	NLE-A355B	OUTSIDE GUM ROLL ASSEMBLY - FORM D
24	NLE-A356B	CENTER GUM ROLL ASSEMBLY - FORM D
25	NLE-316	SIDE SCRAPER ADJUST CLIP
26	NL-325/1	ADJUSTABLE CENTER GUM ROLL KEY
27	NLE-335	TOP GUM ROLL SCRAPER
28	NLE-313/2A	CENTER GUM ROLL RETAINER PLATE
29	NLE-333E	BRASS GUM ROLL DISC - FORM C
30	NLE-A332	OUTSIDE GUM ROLL ASSEMBLY - FORM C
31	NLE-A333B	CENTER GUM ROLL ASSEMBLY - FORM C
32	NLE-38	FEED ROLL SHAFT SPUR GEAR
33	F-WK07	WOODRUFF KEY
34	NLE-339	FEED ROLL SHAFT
35	NL-47H	EXTENSION SPRING
36	NLE-324	ROCKER ARM SPRING STUD

WHEN ORDERING REPAIR PARTS, GIVE MODEL NO., MACHINE NO. & SERIAL NO.
AS WELL AS PART NUMBER AND NAME.

NEW WAY PACKAGING MACHINERY, INC.
P.O. BOX 467 210 BLETTNER AVENUE
HANOVER, PA. 17331
TEL. (717) 637-2133 OR 637-8998
FAX. (717) 637-2966 WEB SITE: www.labeler.com