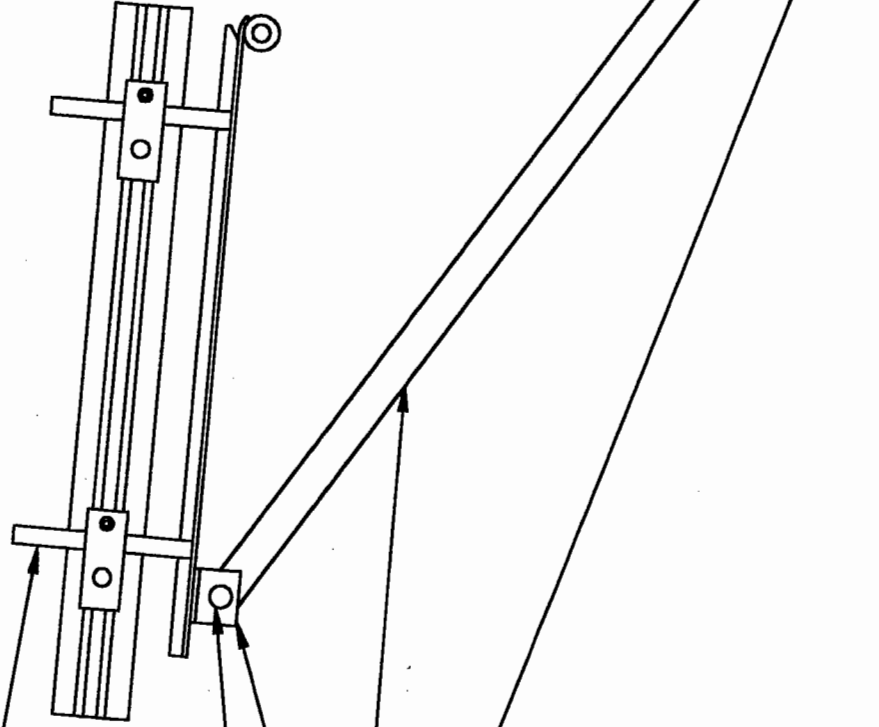


- 1
- 2
- 3
- 4
- 5
- 5
- 6
- 7
- 8
- 9



DWG. NO. NA5-A137RC
 MODEL ASGALRC L.H. CONTROL LABELER
 INFEEED CHUTE ASSEMBLY

MODEL A5GALRC L.H. CONTROL LABELER INFEED CHUTE ASSEMBLY
DWG. NO. NA5-A137RC

ITEM NO.	PART NO.	DESCRIPTION
1	NA5-W137RC	FEED CHUTE PLATE WELDMENT
2	NLE-144	CHUTE SUB RAIL - GALLON PAINT CANS ONLY
3	NA-A140	CHUTE RAIL ASSEMBLY
4	NA-145	CHUTE RAIL ADJUSTING BLOCK
5	NA-142	CHUTE RAIL ADJUSTING ROD
6	NLE-146	CHUTE SUPPORT PIN
7	NLE-135/A	CHUTE BRACE RETAINER
8	NLE-143	CHUTE SUPPORT BAR
9	NLE-151	CHUTE SUPPORT CLIP

WHEN ORDERING REPAIR PARTS, GIVE MODEL NO., MACHINE NO. & SERIAL NO.
AS WELL AS PART NUMBER AND NAME.

NEW WAY PACKAGING MACHINERY, INC.
P.O. BOX 467 210 BLETTNER AVENUE
HANOVER, PA. 17331

TEL. (717) 637-2133 OR 637-8998
FAX. (717) 637-2966 WEB SITE: www.labeler.com